

# DC HIGH VOLTAGE EV RELAY

## HAR-30



### ▶ Contact data 触点参数

(450VDC)

Item	Type	1Pole Resistive load (L/R ≤ 1ms)
		HAR30
Max. switching current (wire size 6.0mm <sup>2</sup> )		30A
Max. switching voltages		900VDC
Contact rating switching voltages		450VDC
Max. contact performance (wire size 6.0mm <sup>2</sup> )		90A 30Sec.
		150A 10Sec.
Voltage drop across contacts per 10A		0.3V max.
Min. permissible load		12V DC 0.5A
Description		S.P On/Off, (1a)

### ▶ Characteristics 性能参数

Initial insulation resistance		Min. 100MΩ 500V DC
Expected life	Mechanical (Min.)	10 <sup>6</sup>
	Electric (L/R ≤ 1ms)	450V DC 30A
		250V DC 30A
Initial breakdown voltage	Between open contacts	2500V AC 1Min. 10mA
	Between contacts & coil	2500V AC 1Min. 10mA
Operate time (at 20°C)		Max. 30ms
Release time (at 20°C)		Max. 15ms
Shock resistance	Functional	Min 196 m/s <sup>2</sup> {20G},(10μs)
	Destructive	Min 490 m/s <sup>2</sup> {50G}
Vibration resistance	Functional	43 m/s <sup>2</sup> {4.4G} 10 to 200Hz,(10μs)
	Destructive	43 m/s <sup>2</sup> {4.4G} 10 to 200Hz
Conditions for operation transport and storage	Ambient temperature	-40°C to +85°C
	Humidity	5 to 85% R.H.
Unit weight		105g

### ▶ Coil data 线圈参数

Nominal voltage(V)	Item	Nominal Coil current (mA)	Coil resistance (Ω)	Pick-up voltage (V)max.	Drop-out voltage (V)min.	Max. voltage (V)max.	Coil power(W) dissipation
DC	110	29	3,750	82.5	11	143	3 ~ 3.5
	72	45	1,600	54	7.2	93.6	
	60	54	1,120	45	6	78	
	48	66	730	36	4.8	62.4	
	24	133	180	18	2.4	31.2	
	12	267	45	9	1.2	15.6	
	6	545	11	4.5	0.6	7.8	

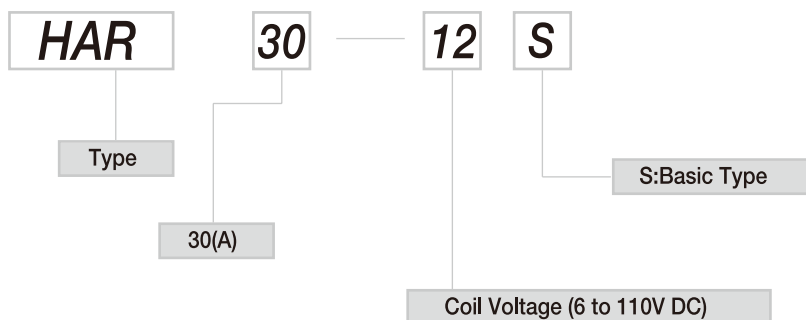
- Notes : 1. Nominal current and coil resistance are measured at +20°C.  
 2. Differences of coil resistance are ± 10%.  
 3. Performance characteristic coil temperature is measured at +20°C.

# DC HIGH VOLTAGE EV RELAY

## HAR-30

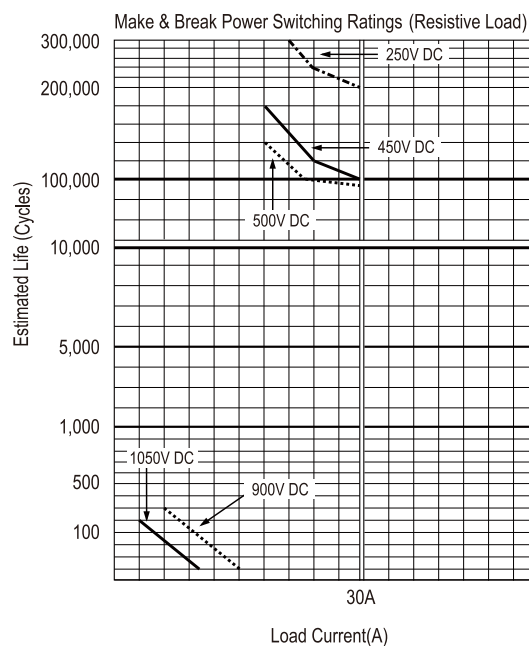
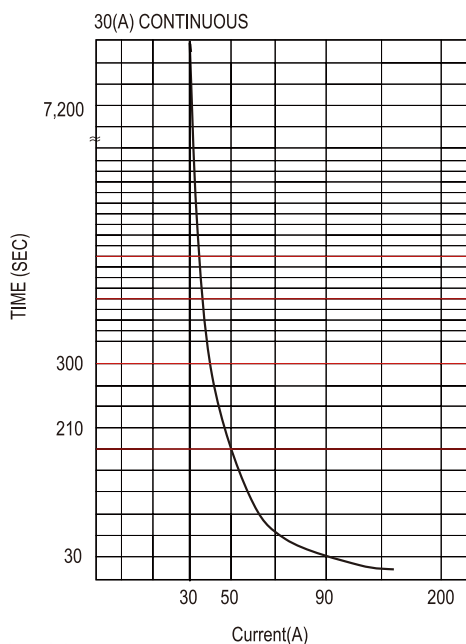


### ▶ Ordering information 订货标记



### ▶ Reference data 性能曲线图

- Max, Current capacity
- Max, Continuous thermal current rating (amperes)

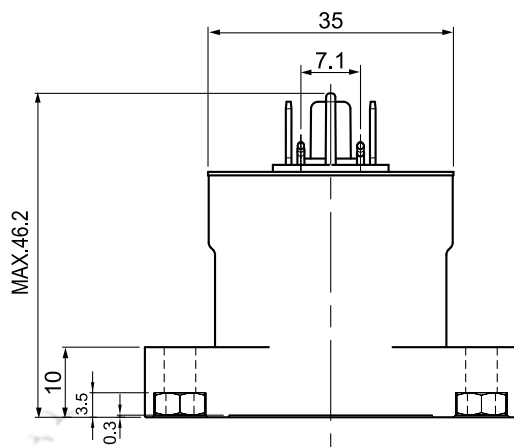
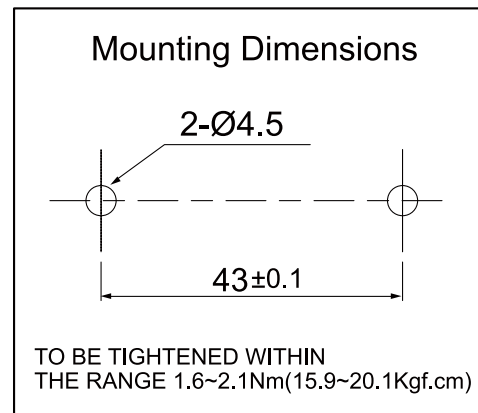
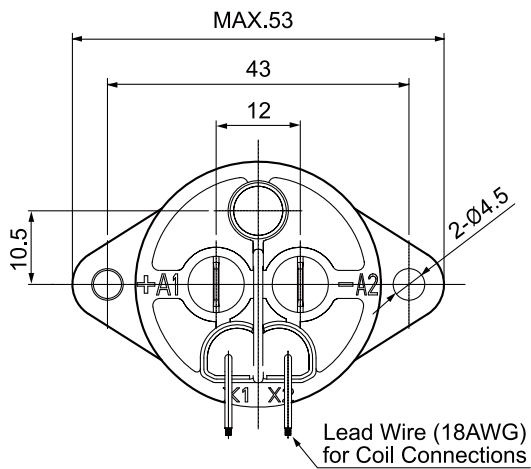


DC HIGH VOLTAGE EV RELAY

# HAR-30



► Dimensions (unit:mm) 外型尺寸、接线、安装孔位图 (单位:mm)



6.25mm SPADE MAIN TERMINALS

